

LED20WA21/8XX-U
LED25WA23/8XX-U
LED20WA21/8XX-DIM
LED35WPS25/8XX-U

INSTALLATION INSTRUCTIONS LED HID REPLACEMENT LAMP

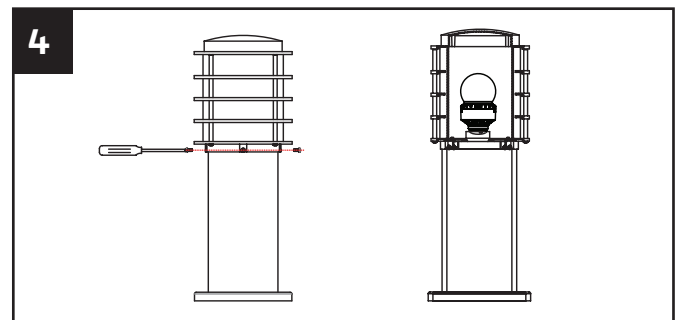
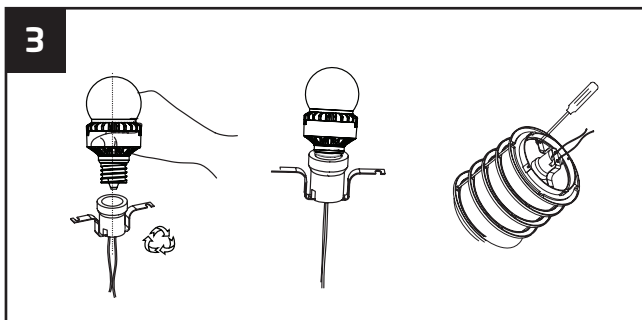
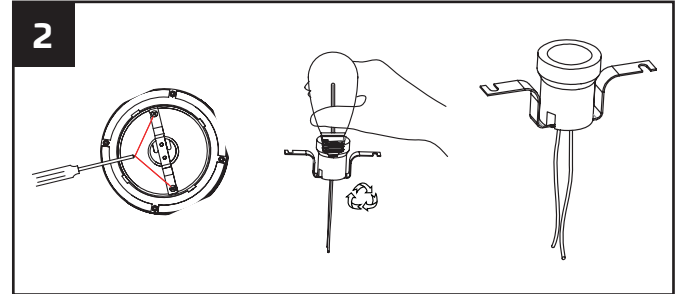
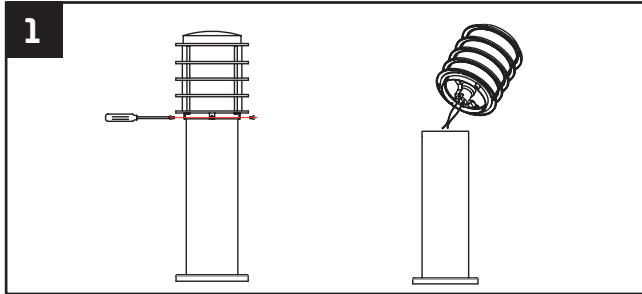
SAFETY PRECAUTIONS:

- CAUTION: IF THE LAMP OR LUMINAIRE EXHIBITS UNDESIRABLE OPERATION (BUZZING, FLICKERING, ETC), IMMEDIATELY TURN OFF POWER, REMOVE LAMP FROM LUMINAIRE AND CONTACT THE MANUFACTURER.
- WARNING: RISK OF FIRE OR ELECTRIC SHOCK. LED RETROFIT KIT INSTALLATION REQUIRES KNOWLEDGE OF LUMINAIRE ELECTRICAL SYSTEMS. IF NOT QUALIFIED, DO NOT ATTEMPT INSTALLATION. CONTACT A QUALIFIED ELECTRICIAN. INSTALLATION SHOULD BE PERFORMED ONLY BY A QUALIFIED ELECTRICIAN IN ACCORDANCE WITH NATIONAL ELECTRICAL CODE AND RELEVANT LOCAL CODE.
- WARNING: RISK OF FIRE OR ELECTRIC SHOCK. INSTALL THIS KIT ONLY IN THE LUMINAIRES THAT HAVE THE CONSTRUCTION FEATURES AND DIMENSIONS WRITTEN AND SHOWN IN THE PHOTOGRAPHS AND OR DRAWINGS AND WHERE THE INPUT RATING OF THE RETROFIT KIT DOES NOT EXCEED THE INPUT RATING OF LUMINAIRE.
- WARNING: TO PREVENT WIRING DAMAGE OR ABRASION, DO NOT EXPOSE WIRING TO EDGES OF SHEET METAL OR OTHER SHARP OBJECTS. DISCONNECT POWER AT THE SOURCE BEFORE INSTALLATION, INSPECTION OR REMOVAL . DO NOT SIMPLY SWITCH OFF FIXTURE.
- REFER TO SPEC SHEET FOR ITEM VOLTAGE RATING. INSTALLER MUST DETERMINE WHETHER CORRECT LINE VOLTAGE IS AVAILABLE AT THE LUMINAIRE BEFORE INSTALLATION.
- NOT INTENDED FOR USE WITH EMERGENCY EXIT FIXTURES OR EMERGENCY EXIT LIGHTS.
- NOT FOR USE WITH LUMINAIRE BALLAST.
- DO NOT USE IF PRODUCT IS DAMAGED.
- DO NOT MAKE OR ALTER ANY OPEN HOLES IN AN ENCLOSURE OF WIRING OR ELECTRICAL COMPONENTS DURING KIT INSTALLATION.
- "THIS LUMINAIRE HAS BEEN MODIFIED TO OPERATE LED LAMPS" SHALL BE MARKED ON THE RETROFIT LUMINAIRE WHERE READILY VISIBLE BY THE USER DURING NORMAL MAINTENANCE INCLUDING RE-LAMPING.
- RISK OF FIRE OR ELECTRIC SHOCK. DO NOT OPEN OR MODIFY. NO USER SERVICEABLE PARTS INSIDE.
- INSTALLERS SHOULD NOT DISCONNECT EXISTING WIRES FROM LAMP HOLDER TERMINALS TO MAKE NEW CONNECTIONS AT LAMP HOLDER TERMINALS. INSTEAD INSTALLERS SHOULD CUT EXISTING LAMP HOLDER LEADS AWAY FROM THE LAMP HOLDER AND MAKE NEW ELECTRICAL CONNECTIONS TO LAMP HOLDER LEAD WIRES BY EMPLOYING APPLICABLE CONNECTIONS.
- SUITABLE FOR DAMP LOCATIONS. SUITABLE FOR USE IN WET LOCATIONS WHEN USED IN AN OUTDOOR-RATED FIXTURE. NOT FOR USE WHERE DIRECTLY EXPOSED TO THE WEATHER OR WATER.
- COMPLIES WITH PART 15 OF FCC. OPERATION IS SUBJECT TO THE FOLLOWING TWO CONDITIONS: (1) THIS DEVICE MAY NOT CAUSE HARMFUL INTERFERENCE, AND (2) THIS DEVICE MUST ACCEPT ANY INTERFERENCE RECEIVED INCLUDING INTERFERENCE THAT MAY CAUSE UNDESIRABLE OPERATION.
- NO EXTERNAL WEIGHT OR MECHANICAL FORCE SHOULD BE APPLIED TO LAMP OR COMPONENTS.
- THIS RETROFIT ASSEMBLY IS ACCEPTED AS A COMPONENT OF A LUMINAIRE WHERE THE SUITABILITY OF THE COMBINATION SHALL BE DETERMINED BY UL OR AUTHORITIES HAVING JURISDICTION.
- ADDED WEIGHT OF THE DEVICE MAY CAUSE INSTABILITY OF A FREE-STANDING PORTABLE LUMINAIRE.
- USE ONLY WITH A PORTABLE TABLE LUMINAIRE THAT IS PROVIDED WITH A SHADE.
- PLEASE EXAMINE ALL PARTS THAT ARE NOT INTENDED TO BE REPLACED BY THE RETROFIT KIT FOR DAMAGE AND REPLACE ANY DAMAGED PARTS PRIOR TO INSTALLATION OF THE RETROFIT KIT.
- **SUITABLE FOR OPERATION IN AMBIENT NOT EXCEEDING 45° C**

RETROFIT BOLLARD FIXTURE INSTALLATION

ALWAYS TURN OFF THE POWER SUPPLY FROM MAIN CIRCUIT BREAKER FIRST!

1. TURN OFF AC POWER ELECTRICITY, TAKE APART THE LIGHT COVER FROM BOLLARD.
2. FORWARD THE LIGHT COVER, FACING THE LIGHT SOCKET, LOOSEN THE SCREW, REMOVE EXISTING LAMP.
3. SCREW LAMP IN SOCKET, FIX THE LIGHT SOCKET TO THE LIGHT COVER AGAIN.
4. TIGHTEN ENCLOSURE SCREWS TO SEAL FIXTURE.



POST TOP FIXTURE INSTALLATION

ALWAYS TURN OFF THE POWER SUPPLY FROM MAIN CIRCUIT BREAKER FIRST!

1. TURN OFF THE POWER TO THE FIXTURE, REMOVE EXISTING HID LAMP FROM THE FIXTURE, AND SCREW LAMP INTO SOCKET (SEE FIGURE 1).
2. OPEN THE FIXTURE'S JUNCTION BOX AND BYPASS THE HID BALLAST IGNITOR (IF THERE), AND THE CAPACITOR (IF THERE), BY DISCONNECTING THE LINE AND NEUTRAL WIRES, AND SOCKET BLACK AND WHITE WIRES, IN THE LOCATIONS WITH "CROSS" MARKS IN THE SCHEMATIC DIAGRAM IN FIGURE 2.
3. CLOSE THE FIXTURE'S JUNCTION BOX. CLEAN THE AREA BEFORE APPLYING THE RE-LAMP WARNING LABEL TO A VISIBLE LOCATION ON THE FIXTURE (SEE FIGURE 3).

